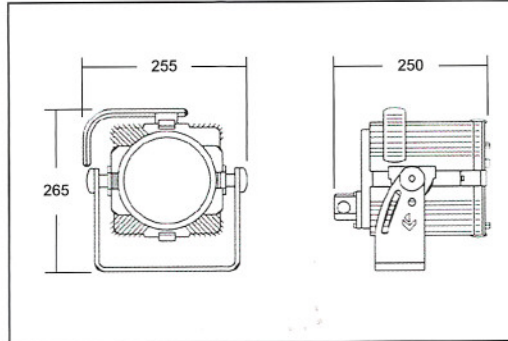
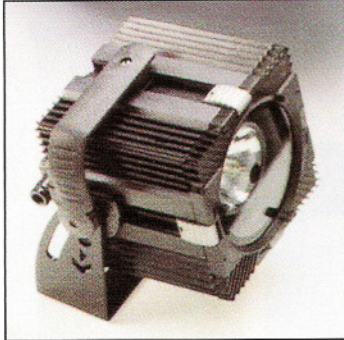


STANDARD
標準

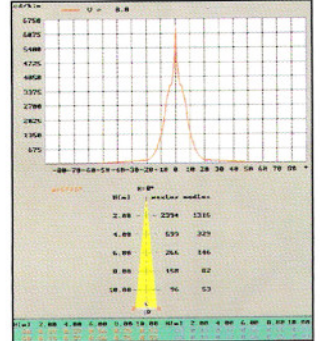
DIMENSION
尺寸

PHOTOMETRIC DATA
配光曲線圖

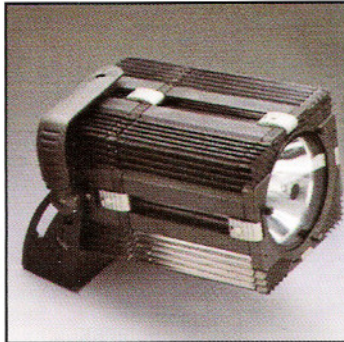
AI-190



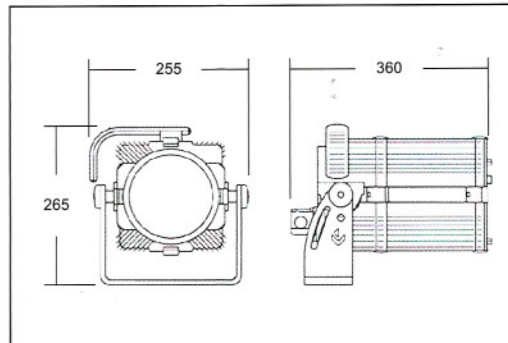
1 x 100W HSL (5)



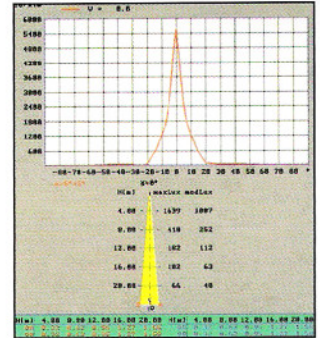
AI-300



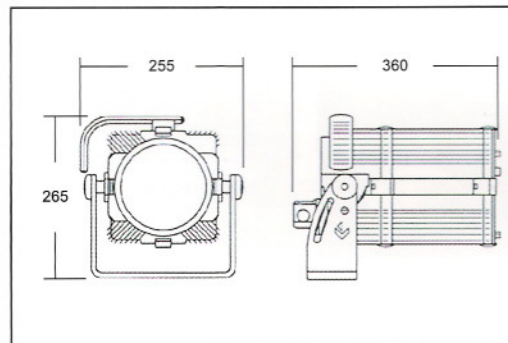
P.4



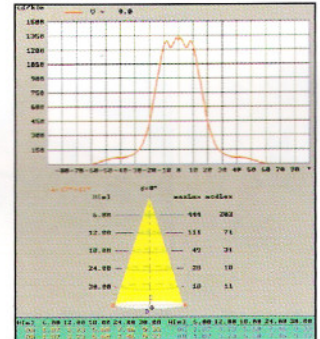
1 x 100W HST (12)



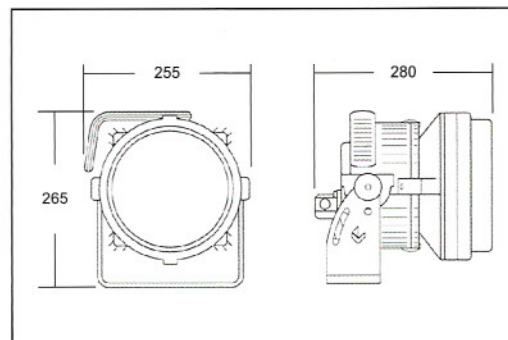
AI-380



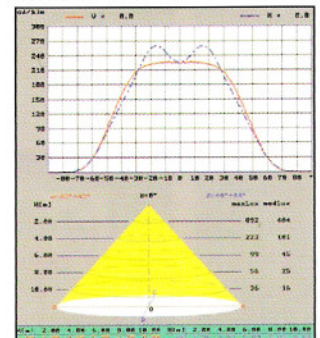
1 x 150W HIT (36)



AI-PAR

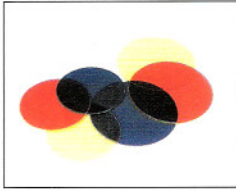


1 x 150W HST-DE

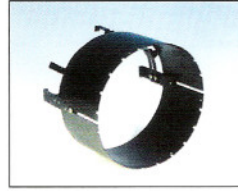


ACCESSORIES 配件

COLOR FILTERS(+CF)
顏色過濾片



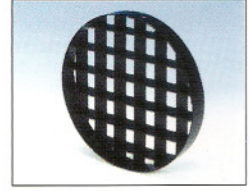
HOOD(+H)
扣架



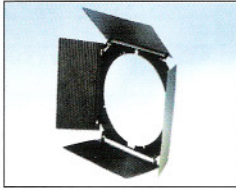
12°/36° REFLECTOR(+R)
角度罩



LIGHTSHADE(+L)
聚光罩



BARN DOORS(+BD)
百葉片連架



APPLICATIONS

HIGHLIGHTING MONUMENTS . BUILDING FACADES .
ARCHITECTURAL DETAILS

應用位置

招牌·標誌·大廈外型·建築物

STRUCTURE

MOULDED IN FIBER GLASS REINFORCED AND SELF-EXTINGUISHING VO BLACK
TECHNOPOLYMER FOR BODY & FRONT FRAME.
CIRCULAR REFLECTOR IN 5° NARROW BEAM AS STANDARD, 12° SEMI-NARROW
BEAM / 36° MEDIUM-WIDE BEAM REFLECTOR ON REQUEST.
4MM THICK TEMPERED FRONT GLASS FIXED TO THE FRAME.
ANTI-AGEING SILICONE GASKETS.
STAINLESS STEEL SCREW.
INTEGRAL 230V 50HZ HPF CONTROL BEAR FOR HIT LAMPS.
LIGHTSHADE / BARN DOOR / HOOD / COLOR FILTER / UV STOP FILTER ON
REQUEST.

結構

黑色耐高溫玻璃纖維外殼及面蓋。
不同角度反射罩。
強化透明玻璃。
防水密封膠條。
不銹鋼螺絲。
全進口電器。
可配聚光罩、百葉片連架、扣架或顏色過濾片。

ORDER CODE 訂購編碼

Cat. No. 型號	Lamp 光源	
A-190-100HAL	1x100w HAL	石英管 R7s
A-190-PAR30	1x100w PAR30	冷射膽 E27
A-190-PAR36	1x50w(12v) PAR36	冷射膽 E27
A-300-70MD	1x70w HIT-DE	高壓金鹵 Rx7s
A-300-70SD	1x70w HST-DE	高壓金鹵 Rx7s
A-300-70MT	1x70w HIT	高壓鈉氣 G12
A-300-100ST	1x100w HST	高壓鈉氣 PG12
A-380-100/150SD	1x100w/150w HST-DE	高壓金鹵 Rx7s
A-380-150MD	1x150w HIT-DE	高壓金鹵 Rx7s
A-380-150MT	1x150w HIT	高壓金鹵 G12
A-380-80ST	1x80w HST	高壓鈉氣 PG12
A-PAR-PAR56	1x300w PAR56	冷射膽 Gx16
A-PAR-PAR64	1x500w PAR64	冷射膽 Gx16